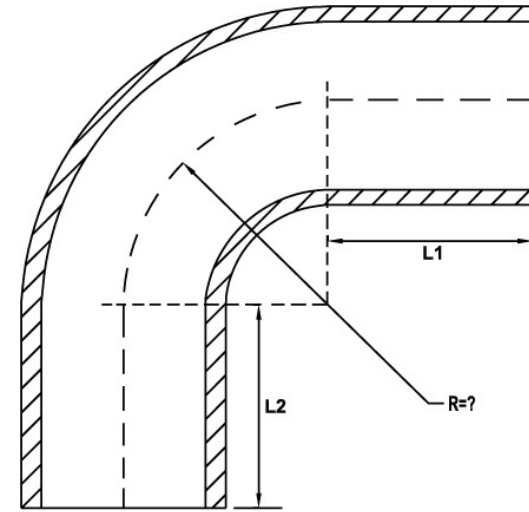
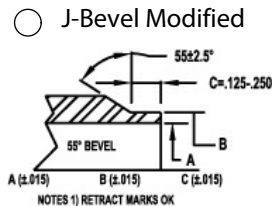
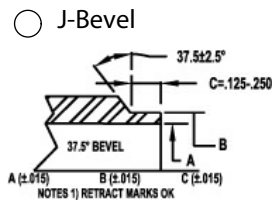
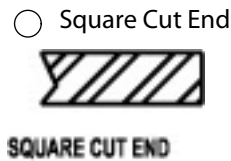
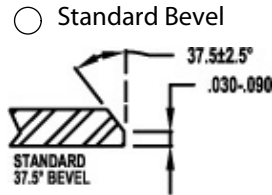


BUILD YOUR OWN FITTING - 90 ELBOW

Company _____
 Contact _____ E-mail: _____
 Date _____ Phone Number: _____ Fax Number: _____ Qty

SIZE NPS	SCHEDULE	MATERIAL GRADE	SPECIAL END
<input type="radio"/> 1/2	<input type="radio"/> 5	<input type="radio"/> 304/304L	<input type="radio"/> Belled End
<input type="radio"/> 3/4	<input type="radio"/> 10	<input type="radio"/> 316/316L	<input type="radio"/> Grooved End
<input type="radio"/> 1	<input type="radio"/> 40	<input type="radio"/> 310S	
<input type="radio"/> 1 1/4	<input type="radio"/> 80	<input type="radio"/> 317L	
<input type="radio"/> 1 1/2		<input type="radio"/> 321	
<input type="radio"/> 2		<input type="radio"/> 347	
<input type="radio"/> 2 1/2		<input type="radio"/> AL6XN	
<input type="radio"/> 3	SIZE TUBE	<input type="radio"/> 254SMO	
<input type="radio"/> 4	<input type="radio"/> 1	<input type="radio"/> 200	
<input type="radio"/> 5	<input type="radio"/> 1 1/2	<input type="radio"/> 400	
<input type="radio"/> 6	<input type="radio"/> 2	<input type="radio"/> 600	
<input type="radio"/> 8	<input type="radio"/> 3	<input type="radio"/> 904L	
<input type="radio"/> 10		<input type="radio"/> ALLOY 20	
<input type="radio"/> 12		<input type="radio"/> C-22	
<input type="radio"/> 14	RADIUS	<input type="radio"/> C-2000	
<input type="radio"/> 16	<input type="radio"/> 1D	<input type="radio"/> B-2	
	<input type="radio"/> 1 1/2D	<input type="radio"/> B-3	
		<input type="radio"/> G-30	
		<input type="radio"/> 304H	
		<input type="radio"/> 316H	
		<input type="radio"/> C-276	
		Other _____	

WELD PREP OPTIONS



L1 Length _____
 L2 Length _____

INSTRUCTIONS

(1) Make copies of this page, distribute them to anyone responsible for design, welding, engineering, etc. and follow the instructions below.

(2) On the table to the left CHOOSE the applicable information.

(3) On the drawing above fill in the length of tangent desired for L1 and L2.

(4) Fill in the quantity, date, company name, contact name, phone number and click the submit by email button.

**We can also provide combination weldments using various fittings and/or flanges.
 Ask us about any fabrication needs you might have.**